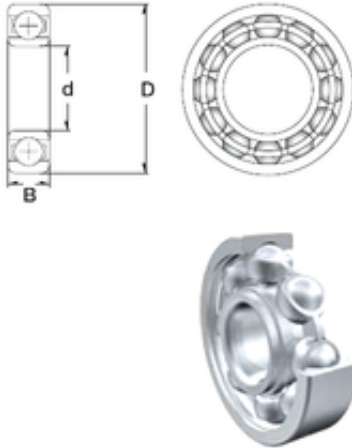




AFEX Bearing Equipment Co., Ltd.



MR85 Ball Bearing 5x8x2.5 mm Deep Groove Ball Bearing MR 85

Bearing No. MR85

Size	5x8x2 mm
Bore Diameter	5 mm
Outer Diameter	8 mm
Width	2 mm
d	5 mm
D	8 mm
B	2 mm
C	2 mm
Basic dynamic load rating (C)	0,218 kN
Basic static load rating (C0)	0,09 kN
(Grease) Lubrication Speed	53000 r/min

MR85 Bearing 2D drawings and 3D CAD models