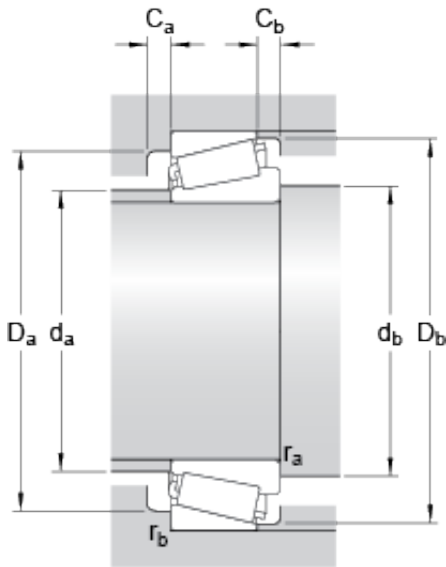




AFEX Bearing Equipment Co., Ltd.



32324 Bearing 2D drawings and 3D CAD models

120 mm x 260 mm x 86 mm good price skf
bearing 32324 J2/Q taper roller bearing 302324 skf

Bearing No. 32324

Dimension series	2GD
d	120 mm
D	260 mm
T	90.5 mm
d ₁	181.5 mm
B	86 mm
C	69 mm
r _{1,2} min.	4 mm
r _{3,4} min.	3 mm
a	59.667 mm
d _a max.	148 mm
d _b min.	136.5 mm
D _a min.	213 mm
D _a max.	246.5 mm
D _b min.	239 mm
C _a min.	10 mm
C _b min.	21.5 mm
r _a max.	4 mm
r _b max.	3 mm
Basic dynamic load rating C	855 kN
Basic static load rating C ₀	1120 kN
Fatigue load limit P _u	110 kN
Reference speed	1800 r/min
Limiting speed	2600 r/min
Calculation factor e	0.35



AFEX Bearing Equipment Co., Ltd.

Calculation factor Y	1.7
Calculation factor Y_0	0.9
Mass bearing	21.4 kg